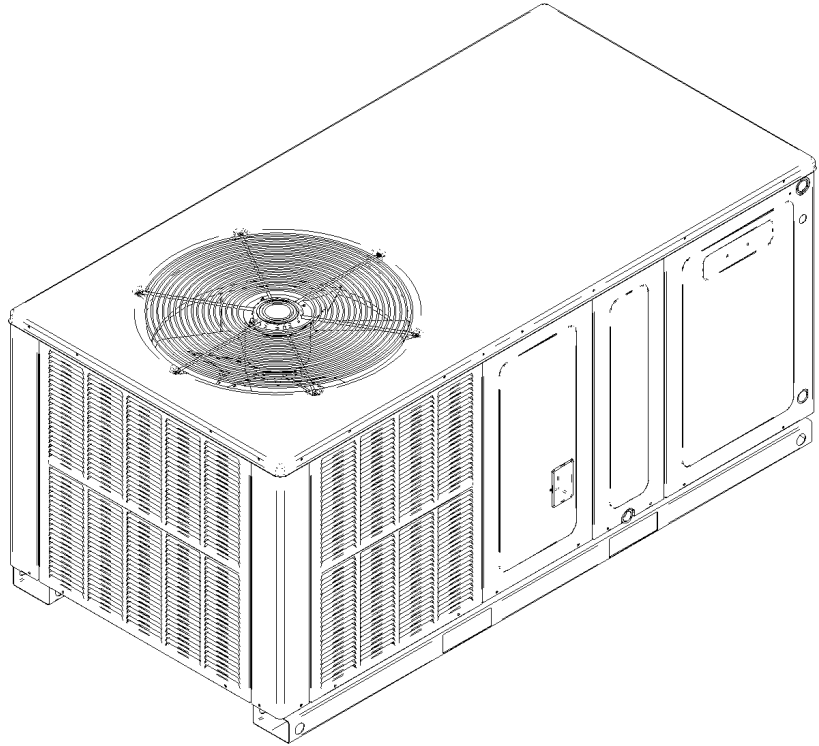

GPC15 "H" Series Package Cooling Units

GPC1524H41AA
GPC1530H41AA
GPC1536H41AA
GPC1542H41AA
GPC1548H41AA
GPC1560H41AA



This manual is to be used by qualified technicians only.

© 2015 Goodman Manufacturing Company, L.P. ♦ 5151 San Felipe St., Suite 500 ♦ Houston, TX 77056

Important Information

Index

Functional Parts List	3
Illustration and Parts	4 - 13

Views shown are for parts illustrations only, not servicing procedures

Text Codes:

AR - As Required

NA - Not Available

NS - Not Shown

00000000 - See Note

QTY - Quantity Example (QTY 3) (If Quantity not shown, Quantity = 1)

M - Model Example (M1) (If M Code not shown, then part is used on all Models)

Expanded Model Nomenclature:

Example M1 - Model#1 M2 - Model#2 M3 - Model#3

Goodman Manufacturing Company, L.P. is not responsible for personal injury or property damage resulting from improper service. Review all service information before beginning repairs.

Warranty service must be performed by an authorized technician, using authorized factory parts. If service is required after the warranty expires, Goodman Manufacturing Company, L.P. also recommends contacting an authorized technician and using authorized factory parts.

Goodman Manufacturing Company, L.P. reserves the right to discontinue, or change at any time, specifications or designs without notice or without incurring obligations.

For assistance within the U.S.A. contact:
Consumer Affairs Department
Goodman Manufacturing Company, L.P.
7401 Security Way
Houston, Texas 77040
877-254-4729-Telephone
713-863-2382-Facsimile

For assistance outside the U.S.A. contact:
International Division
Goodman Manufacturing Company, L.P.
7401 Security Way
Houston, Texas 77040
713-861-2500-Telephone
713-863-2382-Facsimile

Functional Parts

Part

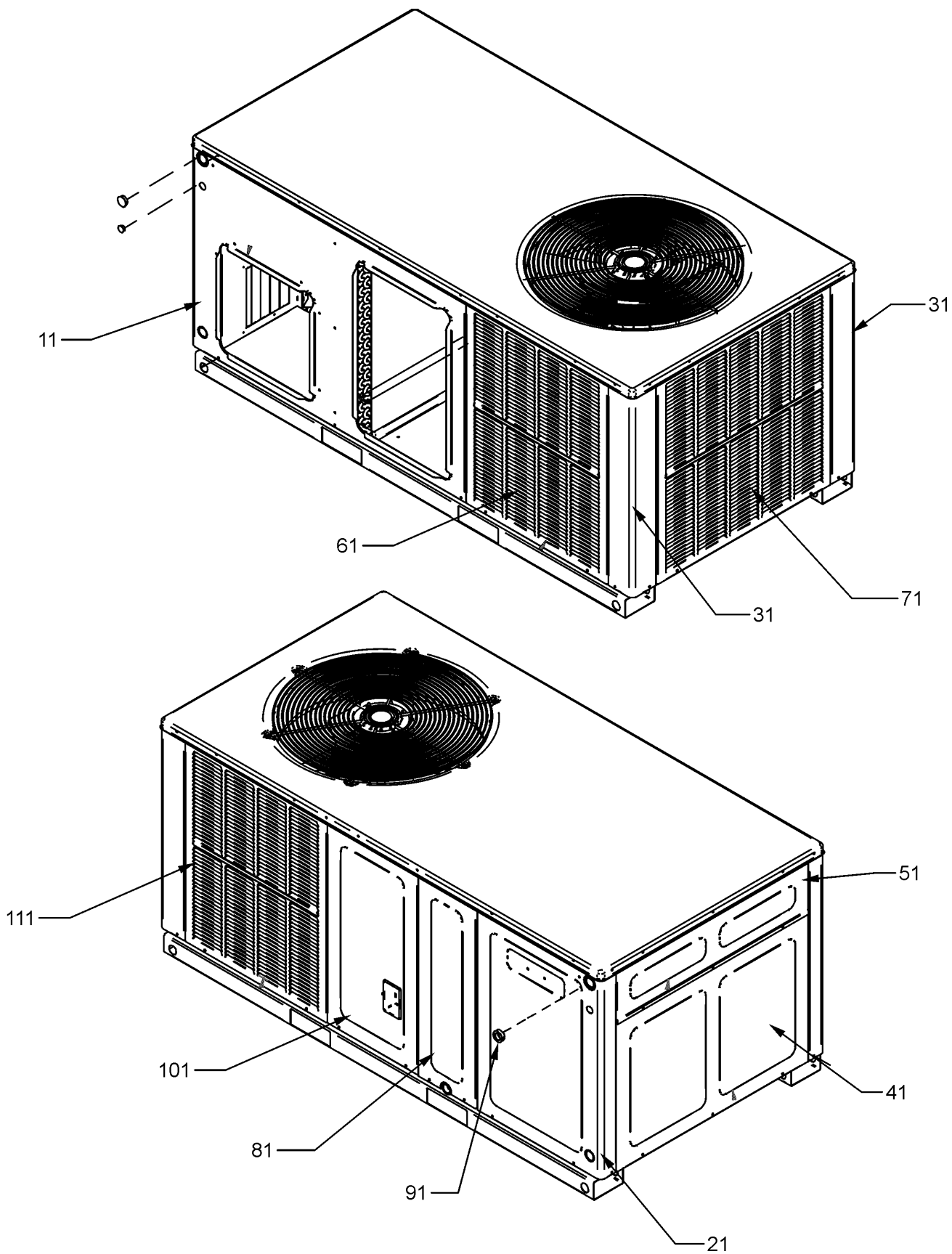
No: Description:

50N492ZV-ZAKM	2.0TONRECHI COMPR.4 LEGS (M1)
B1370751	24V RELAY (M6)
B1368016	BLOWER WHEEL 10 X 8 (M1, M2, M3, M4, M5)
B1368054	BLOWER WHEEL 11 X 8 (M6)
CAP050400440CT	CAPACITOR 5/40/440V/DUAL RD (M2, M6)
CAP050450440CT	CAPACITOR 5/45/440V/DUAL RD (M1, M3, M4, M5)
ZPS51K5EPFV130	COMP, 51900/208/230/60/1 (M6)
ZP25K5EPFV130	COMPRESSOR 25200, 208/230/60/1 (M2)
ZP31K5EPFV130	COMPRESSOR 31100, 208/230/60/1 (M3)
ZP34K5EPFV130	COMPRESSOR 34500, 208/230/60/1 (M4)
ZP39K5EPFV130	COMPRESSOR 39000, 208/230/60/1 (M5)
0131M00061	COND MOTOR 1/4 HP, 1 SP, 8 PL (M3)
0131M00429	COND MOTOR 1/4 HP, 1 SP,6 PL (M4, M5, M6)
0131M00009P	COND MOTOR 1/6 HP, 1 SP, 8 PL (M1, M2)
CONT1P025024V	CONTACTOR 25 AMP, 1P, 24V (M1, M2, M3)
CONT1P030024V	CONTACTOR 30 AMP, 1P, 24V (M4, M5)
CONT2P040024V	CONTACTOR 40 AMP, 2P, 24V (M6)
0130M00074	CUT-OUT SWITCH, HIGH PRESSURE (M1, M6)
0150G00005	FAN BLADE (M1, M2)
0150G00004	FAN BLADE (M4, M5, M6)
B1086765	FAN BLADE TYPE 3 (M3)
0131G00034	PROGRAMMED MOTOR (M4)
0131G00035	PROGRAMMED MOTOR (M5)
0131M00487	PROGRAMMED MOTOR (M1)
0131M00489	PROGRAMMED MOTOR (M2)
0131M00596	PROGRAMMED MOTOR (M3)
0131M00729	PROGRAMMED MOTOR (M6)
0130M00138	TRANSFORMER 208/230, 24V
0151M00050	VALVE, NXT (M6)

Expanded Model Nomenclature

M1 - GPC1524H41AA
M2 - GPC1530H41AA
M3 - GPC1536H41AA
M4 - GPC1542H41AA
M5 - GPC1548H41AA
M6 - GPC1560H41AA

Cabinet Assembly



Cabinet Assembly

Ref. Part No: No:	Description:	Ref. Part No: No:	Description:
Image 1:			
11	0121G00050PDG		DUCT PANEL 27.5" (M1, M2, M3)
11	0121G00627DG		DUCT PANEL 27.5" (M4)
11	0121G00051PDG		DUCT PANEL 32.5" (M5, M6)
21	0121G00521DG		CORNER PANEL 27.5" (M1, M2, M3, M4)
21	0121G00522DG		CORNER PANEL 32.5" (M5, M6)
31	0121G00047PDG		CORNER POST 27.5" (M2, M3, M4)
31	0121G00048PDG		CORNER POST 32.5" (M5, M6)
31	0121G00516DG		CORNER POST, 27.5" (M1)
41	0121G00271DG		EXTERNAL BLOWER PANEL 27.5" (M1, M2, M3, M4)
41	0121G00272DG		EXTERNAL BLOWER PANEL 32.5" (M5, M6)
51	0121G00276DG		EXTERNAL CONTROL BOX PANEL (M2, M3, M4, M5, M6)
61	0121G00069PDG		LOUVERED PANEL 4 BANK 27.5" (M2, M3, M4)
61	0121G00070PDG		LOUVERED PANEL 4 BANK 32.5" (M5, M6)
61	0121G00517DG		PNL, NO LVR 27.5" PAINTED (M1)
71	0121G00072PDG		LOUVERED PANEL 5 BANK 27.5" (M2, M3, M4)
71	0121G00073PDG		LOUVERED PANEL 5 BANK 32.5" (M5, M6)
81	0121G00065PDG		EVAP PANEL 8.75" X 27.5" (M1, M2, M3, M4)
81	0121G00066PDG		EVAP PANEL 8.75" X 32.5" (M5, M6)
91	B1392012		GROMMET / HS 1.0 - .79 (M2, M3, M4, M5, M6)
101	0121G00062PDG		COMPRESSOR PANEL 13.68" X 27.50" (M2, M3, M4)
101	0121G00060PDG		COMPRESSOR PANEL 8.75" X 32.50" (M5, M6)
101	0121G00059PDG		COMPRESSOR PANEL, 8.75" X 27.50" (M1)
111	0121G00069PDG		LOUVERED PANEL 4 BANK 27.5" (M2, M3, M4)
111	0121G00070PDG		LOUVERED PANEL 4 BANK 32.5" (M5, M6)
111	0121G00517DG		PNL, NO LVR 27.5" PAINTED (M1)

Expanded Model Nomenclature

- | |
|-------------------|
| M1 - GPC1524H41AA |
| M2 - GPC1530H41AA |
| M3 - GPC1536H41AA |
| M4 - GPC1542H41AA |
| M5 - GPC1548H41AA |
| M6 - GPC1560H41AA |

Chassis Assembly

Image 1

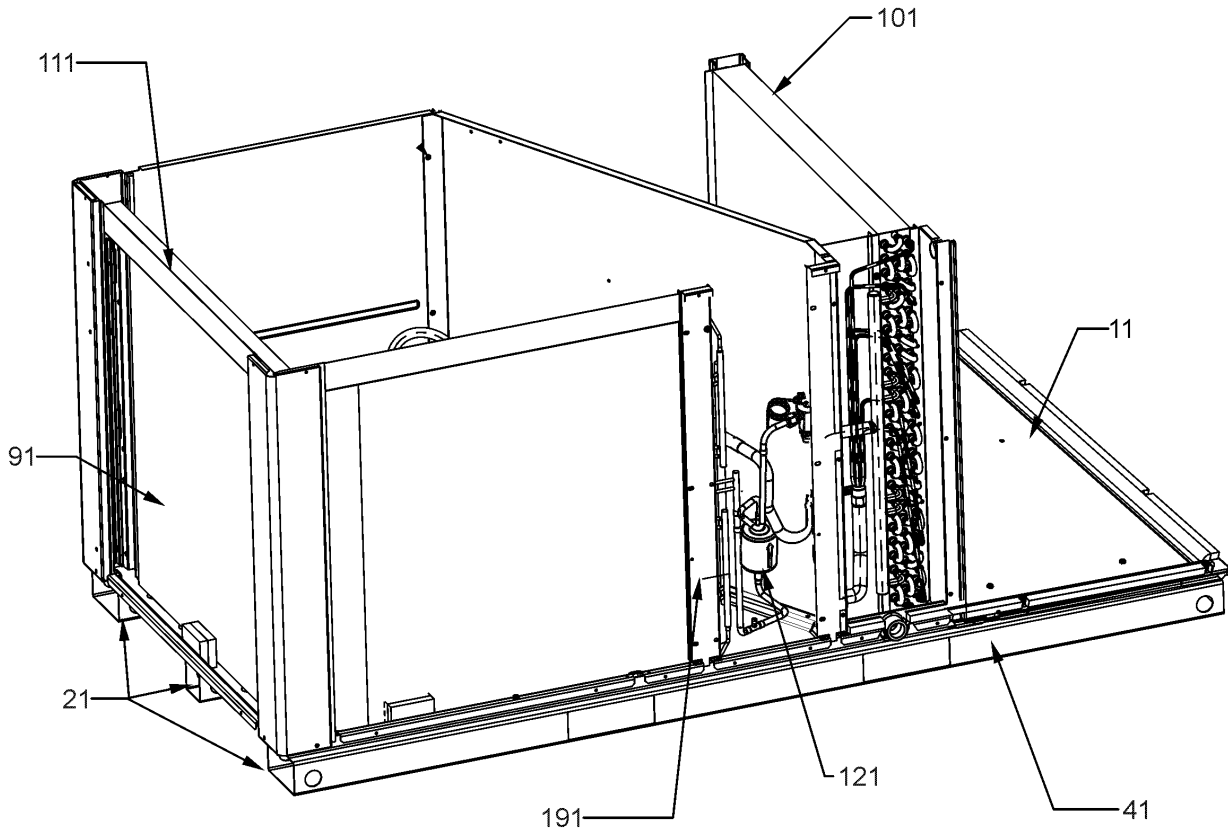
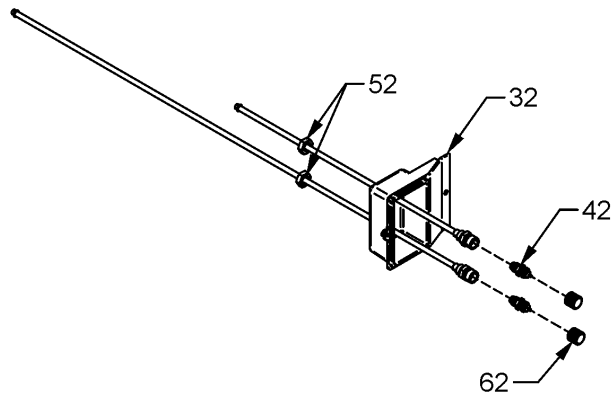


Image 2



Chassis Assembly

Ref. Part No:	Part No:	Description:	Ref. Part No:	Part No:	Description:
---------------	----------	--------------	---------------	----------	--------------

Image 1:

11	0121G00046P	INSULATED ASSY, BASEPAN
21	0121G00044PRF	BASEPAN RAIL (QTY 2)
41	0161G00000P	DRIP PAN
91	0201G00308	CONDENSER COIL ASSY (M1)
91	0201G00334	CONDENSER COIL ASSY (M5, M6)
91	0201G00334	CONDENSER COIL ASSY (M5, M6)
91	0201G00382	CONDENSER COIL ASSY (M4)
91	0201G00183	TUBING ASSY, COND COIL (M2, M3)
101	0202G00663	EVAP COIL TUBING ASSY (M6)
101	0202G00690	EVAP COIL TUBING ASSY (M4)
101	0202G00695	EVAP COIL TUBING ASSY (M5)
101	0202G00696	EVAP COIL TUBING ASSY (M3)
101	0202G00708	EVAP COIL TUBING ASSY (M1)
101	0202G00710	EVAP COIL TUBING ASSY (M2)
111	0121G00368	CONDENSER COIL BLOCKOFF (M2, M3)
111	0121G00372	CONDENSER COIL BLOCKOFF (M5, M6)
111	0121G00519	CONDENSER COIL BLOCKOFF (M1)
111	0121G00624	CONDENSER COIL BLOCKOFF (M4)
121	B1219212	SINGLE-FLOW FILTER DRIER, STEEL (M1, M2, M3)
121	B1219225	SINGLE-FLOW FILTER DRIER, STEEL (M4, M5, M6)
191	0121G00045P	POST 27.5" (M1, M2, M3)
191	0121G00628	POST 27.5" (M4)
191	0121G00565	POST 32.5" (M5, M6)
NS	0130M00074	CUT-OUT SWITCH, HIGH PRESSURE (M1, M6)
NS	0162G00004	DISTRIBUTOR, AL (M6)
NS	0128G00052	EVAP DRIP SHIELD
NS	0162M00305	FLOWRATOR, AL (M5)
NS	0162M00320	FLOWRATOR, AL (M4)
NS	0162M00326	FLOWRATOR, AL (M3)
NS	0162M00327	FLOWRATOR, AL (M2)
NS	0162M00366	FLOWRATOR, AL (M1)
NS	0151M00050	VALVE, NXT (M6)

Image 2:

32	0161G00008	ACCESS-FITTING BOX
42	B1373315	ACCESS FITTING (QTY 2)
52	0163G00000P	FASTEST FITTING NUT (QTY 2)
62	0163M00175	CAP WITH O-RING (QTY 2)

Expanded Model Nomenclature

M1 - GPC1524H41AA
M2 - GPC1530H41AA
M3 - GPC1536H41AA
M4 - GPC1542H41AA
M5 - GPC1548H41AA
M6 - GPC1560H41AA

Compressor and Top Panel Assembly

Image 1

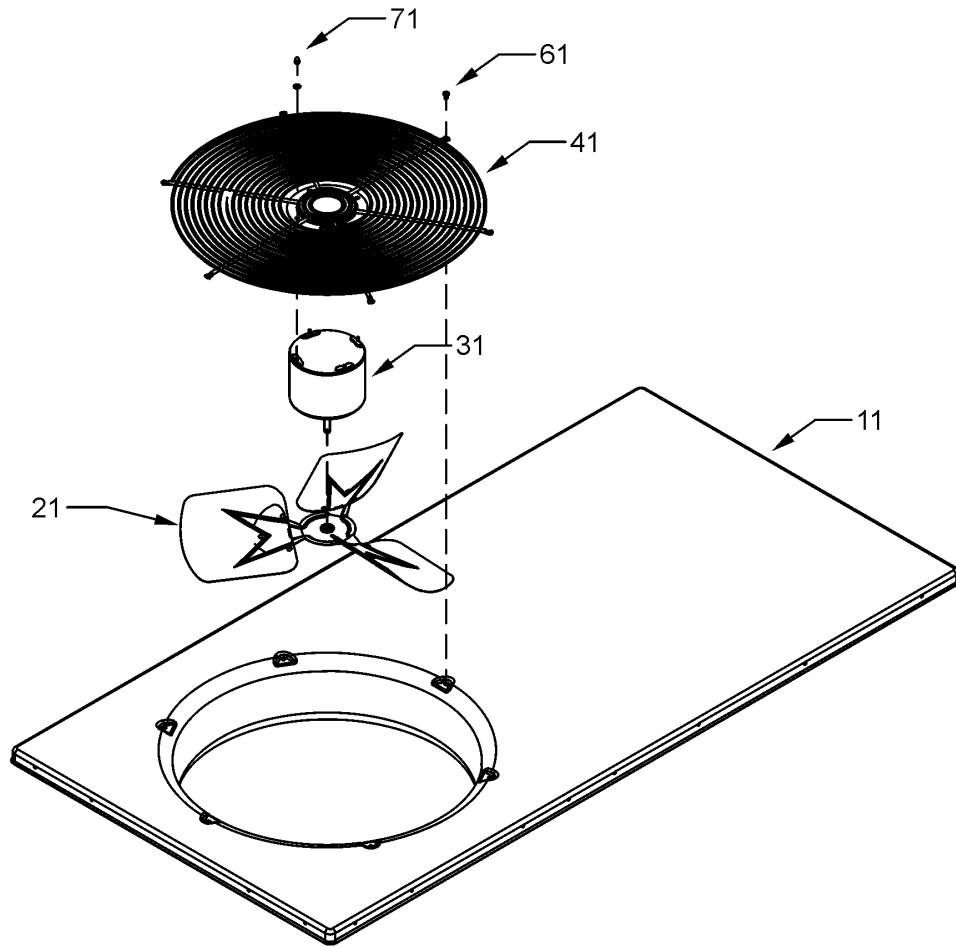
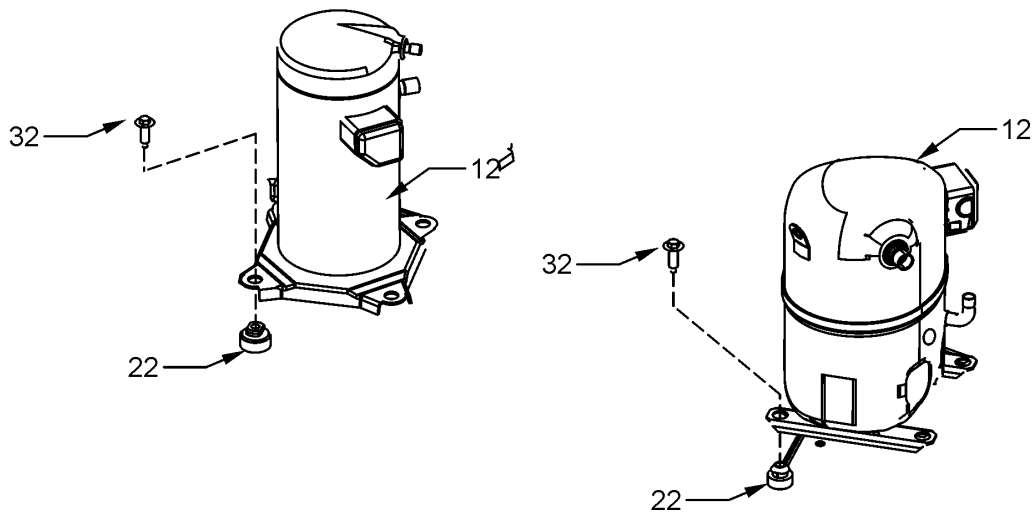


Image 2



Compressor and Top Panel Assembly

Ref. Part No: No:	Description:	Ref. Part No: No:	Description:
-------------------	--------------	-------------------	--------------

Image 1:

11	0121G00274DG	TOP PANEL PAINTED
21	0150G00004	FAN BLADE (M4, M5, M6)
21	0150G00005	FAN BLADE (M1, M2)
21	B1086765	FAN BLADE TYPE 3 (M3)
31	0131M00061	COND MOTOR 1/4 HP, 1 SP, 8 PL (M3)
31	0131M00429	COND MOTOR 1/4 HP, 1 SP, 6 PL (M4, M5, M6)
31	0131M00009P	COND MOTOR 1/6 HP, 1 SP, 8 PL (M1, M2)
41	0152G00003	FAN GRILLE
61	M0221817	SMALL SCREW (QTY 6)
71	0163M00006P	ACORN NUT 5/16 HEX BLACK (QTY 4)
NS	17788000083F	PVC CONDUIT 8.25"

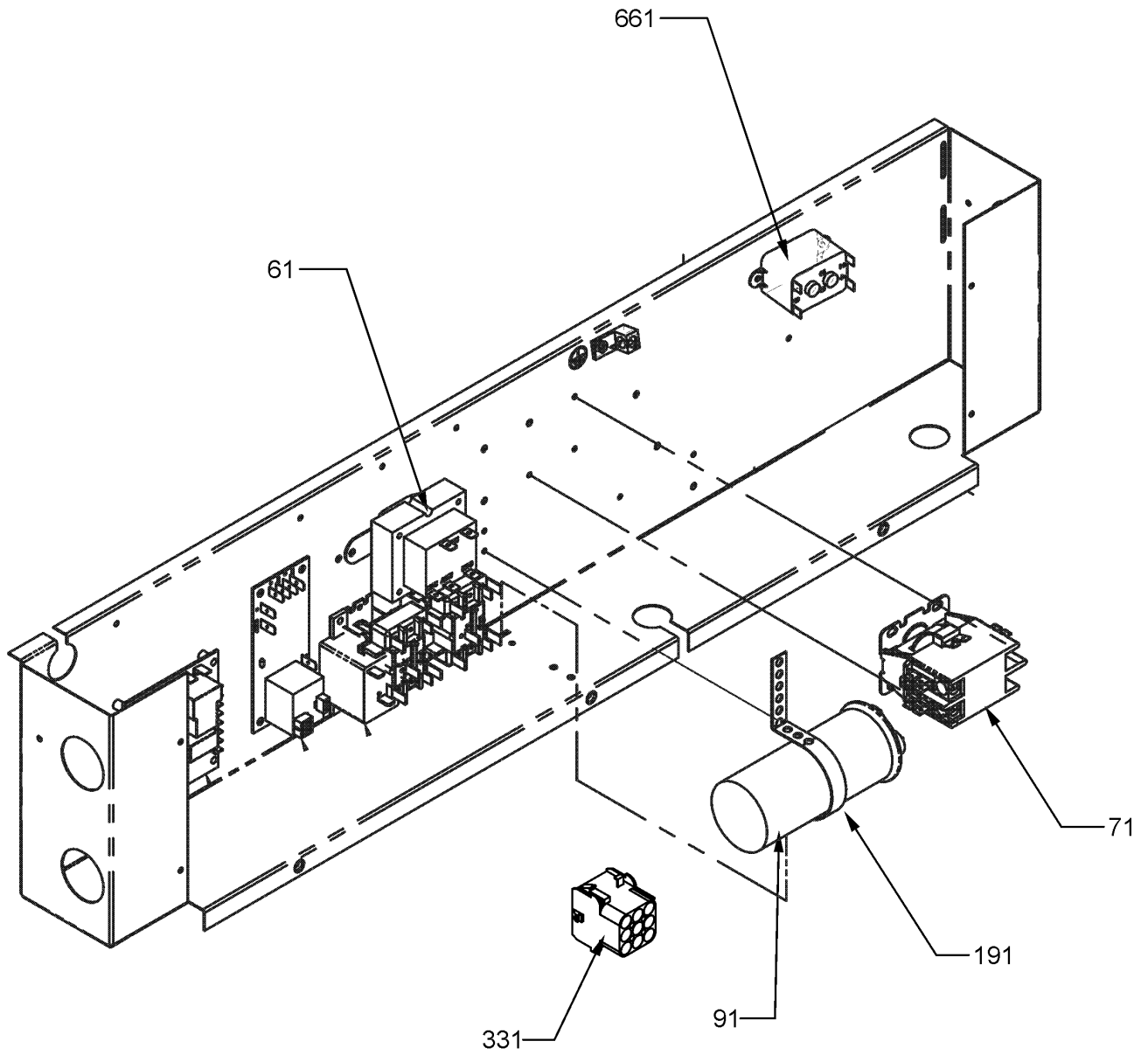
Image 2:

12	50N492ZV-ZAKM	2.0TONRECHI COMPR.4 LEGS (M1)
12	ZPS51K5EPFV130	COMP, 51900/208/230/60/1 (M6)
12	ZP25K5EPFV130	COMPRESSOR 25200, 208/230/60/1 (M2)
12	ZP31K5EPFV130	COMPRESSOR 31100, 208/230/60/1 (M3)
12	ZP34K5EPFV130	COMPRESSOR 34500, 208/230/60/1 (M4)
12	ZP39K5EPFV130	COMPRESSOR 39000, 208/230/60/1 (M5)
22	B1339533	COMPRESSOR GROMMET (M2, M3, M4, M5, M6)
22	60140209	RECHI COMPRESSOR GROMMET (M1)
32	0163M00186	TF SHOULDER SCREW (M1)
32	M0221641	TF SHOULDER SCREW (M2, M3, M4, M5, M6)
NS	0159G00010	COMPRESSOR SCROLL CABLE (M6)
NS	0159G00004	COMPRESSOR SCROLL HARNESS (M2, M3, M4, M5, M6)
NS	60100317	TERMINAL COVER (M1)
NS	60100107	TERMINAL COVER GASKET (M1)
NS	60100401	TERMINAL NUT - RECHI COMPRESSOR (M1)
NS	60100201	WASHER - RECHI COMPRESSOR (M1)

Expanded Model Nomenclature

M1 - GPC1524H41AA
M2 - GPC1530H41AA
M3 - GPC1536H41AA
M4 - GPC1542H41AA
M5 - GPC1548H41AA
M6 - GPC1560H41AA

Control Box Assembly



Control Box Assembly

Ref. Part No:	No:	Description:	Ref. Part No:	No:	Description:
---------------	-----	--------------	---------------	-----	--------------

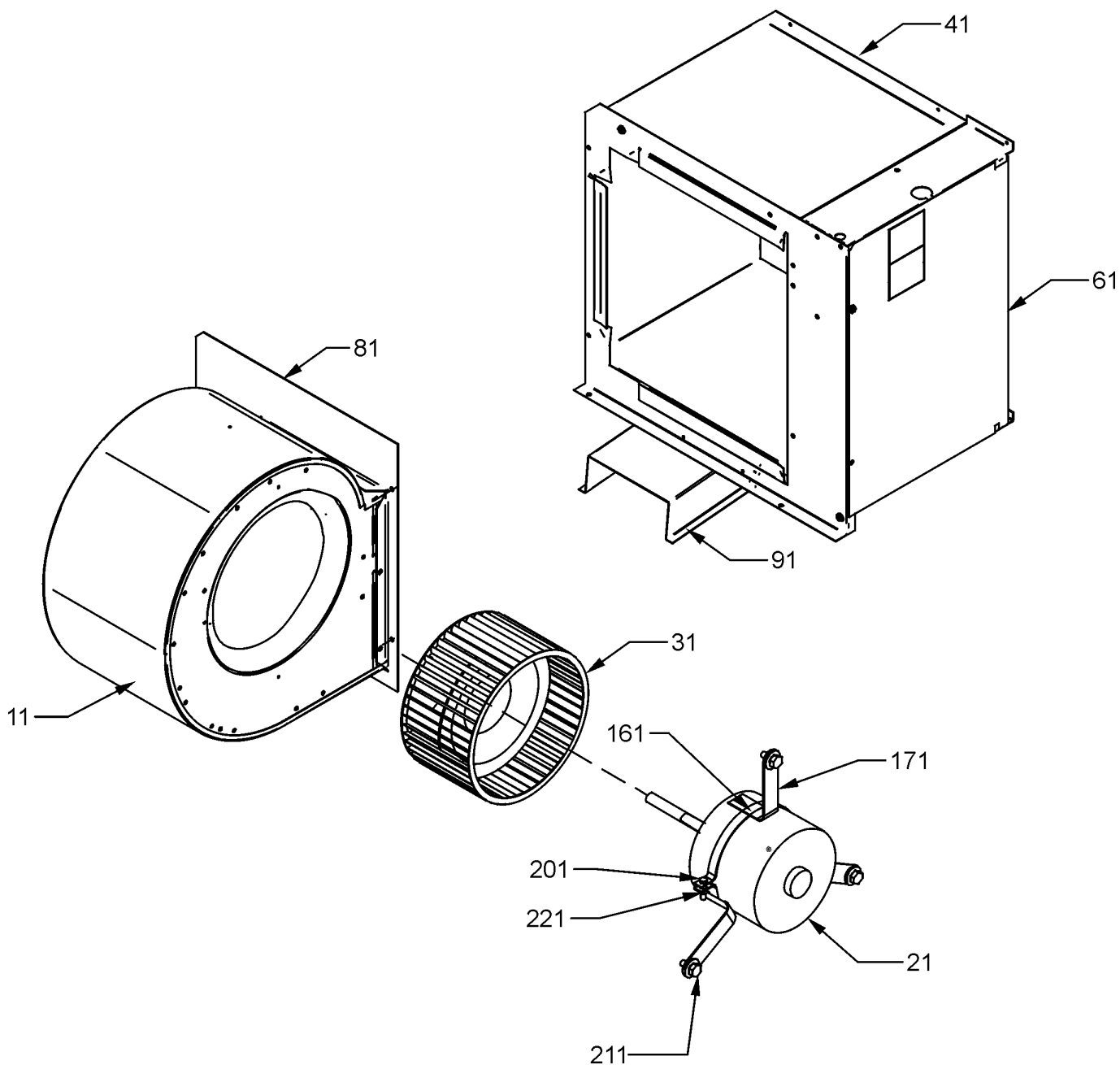
Image 1:

61	0130M00138	TRANSFORMER 208/230, 24V			
71	CONT1P025024V	CONTACTOR 25 AMP, 1P, 24V (M1, M2, M3)			
71	CONT1P030024V	CONTACTOR 30 AMP, 1P, 24V (M4, M5)			
71	CONT2P040024V	CONTACTOR 40 AMP, 2P, 24V (M6)			
91	CAP050400440CT	CAPACITOR 5/40/440V/DUAL RD (M2, M6)			
91	CAP050450440CT	CAPACITOR 5/45/440V/DUAL RD (M1, M3, M4, M5)			
191	20520901	CAPACITOR STRAP			
331	0259G00021	WIRE HARNESS, ELECTRIC HEAT			
661	B1370751	24V RELAY (M6)			

Expanded Model Nomenclature

M1 - GPC1524H41AA
M2 - GPC1530H41AA
M3 - GPC1536H41AA
M4 - GPC1542H41AA
M5 - GPC1548H41AA
M6 - GPC1560H41AA

Blower Assembly



Blower Assembly

Ref. Part No:	No:	Description:	Ref. Part No:	No:	Description:
<i>Image 1:</i>					
11	10324248	BLOWER HOUSING 10 X 8 (M1, M2, M3, M4, M5)			
11	0271G00017	BLOWER HOUSING 11 X 8 (M6)			
21	0131G00034	PROGRAMMED MOTOR (M4)			
21	0131G00035	PROGRAMMED MOTOR (M5)			
21	0131M00487	PROGRAMMED MOTOR (M1)			
21	0131M00489	PROGRAMMED MOTOR (M2)			
21	0131M00596	PROGRAMMED MOTOR (M3)			
21	0131M00729	PROGRAMMED MOTOR (M6)			
31	B1368016	BLOWER WHEEL 10 X 8 (M1, M2, M3, M4, M5)			
31	B1368054	BLOWER WHEEL 11 X 8 (M6)			
41	0270G00025P	TRANSITION DUCT ASSY-ALL			
61	0121G00039P	HEATER KIT COVER			
81	0121G00128P	BLOWER MOUNT (M6)			
81	0121G00035P	BLOWER MOUNT 10 X 8 (M1, M2, M3, M4, M5)			
91	0121G00040P	BLOWER SUPPORT			
161	0121M00038	MOTOR MOUNT BAND			
171	B1376853	MOTOR MOUNT ARM (M1, M2, M3, M4, M5)			
171	B1376857	MOTOR MOUNT ARM (M6)			
201	B1393323	MACHINE SCREW HWH 1/4-20 X 1-1/2 BZ			
211	M0250565	TC SCREW 1.25" (QTY 3)			
221	B1393800	LOCKNUT, NYLON, INSERT 1/4, 20			
NS	C6121810	BLOWER CUT-OFF (M1, M2, M3, M4, M5)			
NS	2964700	BLOWER CUT-OFF 11 X 8 (M6)			

Expanded Model Nomenclature

M1 - GPC1524H41AA
M2 - GPC1530H41AA
M3 - GPC1536H41AA
M4 - GPC1542H41AA
M5 - GPC1548H41AA
M6 - GPC1560H41AA